

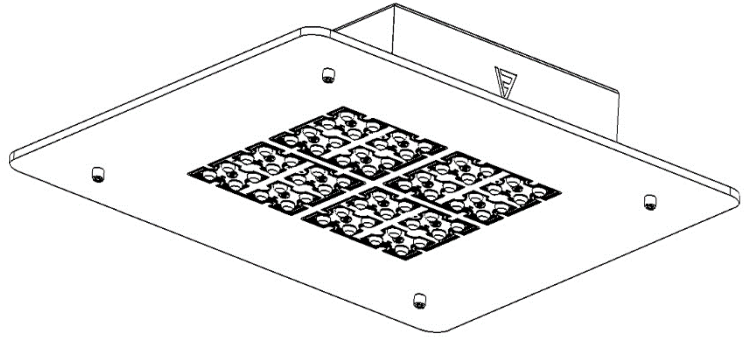
Technical Data Sheet

Indu II



Product description

Housing made from aluminum. Large surface area to maximize heat dissipation and service life and a slim profile for minimal dust collection. Durable powder coating (default color DB 703). Ceiling surface, recessed or hanging mounting options. Serial connection of luminaires possible. Fasteners made from stainless steel. Replaceable LED module allows for flexible lighting outputs. Integrated power supply unit with long service life.



Technical description

Mains voltage	230 V AC, 50 Hz
Connection	3-pole connector
Electrical efficiency	Over 80 %
Protection class	SK II, SK I
Surge protection	3-6 kV
Protection rating	IP 67
Impact protection	IK 09
LED module cover	PMMA
Color rendering index	Over 70
Color temperature	3000 / 4000 / 5000 K
Lifetime (L80, B10)	Up to 100.000 h

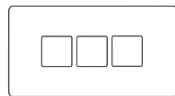
Size	LEDs	mA	lm	W	kg
XS	16	700	4.800	35	3,4
S	32	700	9.600	70	3,9
M	48	700	14.400	105	4,1
L	64	700	18.000	140	4,4

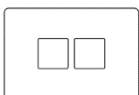
* Please note, that a dot (.) is used as the thousands separator and a comma (,) as the decimal separator throughout.

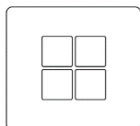
Dimensions

XS

 l 370
w 370
h 50

M

 l 640
w 370
h 50

S

 l 500
w 370
h 50

L

 l 500
w 500
h 50

Optics



Product code

The technical specifications of the luminaire are determined through the combination of 10 categories which result in a unique 16-digit product code.

Category	Value		Code
Model	Indu II		IN2
Size	XS		1
	S		2
	M		3
	L		4
Power and lumens (size dependent)	XS	35 W (4.800 lm)	035
	S	70 W (9.600 lm)	070
	M	105 W (14.400 lm)	105
	L	140 W (18.000 lm)	140
Dimming	Standard		0
	1-10 V		1
	0-10 V		2
	50 %		3
	Dali		5
Optics	SB		SB
	SC		SC
Color temperature	3000 K		30
	4000 K		40
	5000 K		50
Installation	Ceiling		C
	Recessed		R
	Hanging		H
Fi	0 mm		0
Housing color	DB 703		1
	DB 701		9
	RAL 7016		4
	RAL 9005		7
	RAL 9006		3
Options	None		0

Recommended configurations

Indu II XS

Luminaire with a power consumption of 35 W that produces a luminous flux of 4.800 lm. Standard dimming, SB optics, color temperature of 4000 K and DB 703 housing color, mounted at the ceiling surface.

Code: **IN210350SB40C010**

Indu II S

Luminaire with a power consumption of 70 W that produces a luminous flux of 9.600 lm. Standard dimming, SB optics, color temperature of 4000 K and DB 703 housing color, mounted at the ceiling surface.

Code: **IN220700SB40C010**

Indu II M

Luminaire with a power consumption of 105 W that produces a luminous flux of 14.400 lm. Standard dimming, SB optics, color temperature of 4000 K and DB 703 housing color, mounted at the ceiling surface.

Code: **IN231050SB40C010**

Indu II L

Luminaire with a power consumption of 140 W that produces a luminous flux of 14.400 lm. Standard dimming, SB optics, color temperature of 4000 K and DB 703 housing color, mounted at the ceiling surface.

Šifra: **IN241400SB40C010**