

Technical Data Sheet

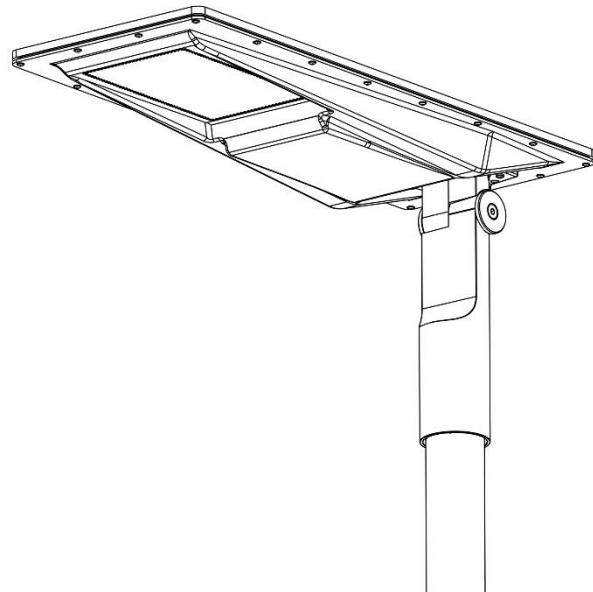
LC Light Compact



Product description

Housing made from aluminum to maximize heat dissipation and service life. Durable powder coating (default color DB 703). Adjustable mounting bracket in its standard version fits 60 or 76 mm diameter poles. Angle adjustments also possible after installation. Fasteners made from stainless steel.

Replaceable LED module and advanced optics allow for flexible lighting configurations, while Multi-Dim regulation together with NFC communication enables precise configuration of power output and implementation of modern dimming options (Dali2, L-Dim, MidNight, 0-10V, and 1-10V). Integrated power supply unit with long service life. ENEC certification.



Technical description

Mains voltage	230 V AC, 50 Hz
Connection	5-pole connector
Electrical efficiency	Over 80 %
Protection class	SK II, SK I
Surge protection	10 kV
Protection rating	IP 67
Impact protection	IK 09
LED module cover	PMMA
Color rendering index	Over 70
Color temperature	3000 / 4000 K
Lifetime (L80, B10)	Up to 100.000 h

Size	lm	W	lm / W	kg
S	152 – 3.810	1 – 25	152	3,9
S	3.952 – 7.610	26 – 50	152	3,9
M	7.752 – 12.160	51 – 80	152	7,1
M	12.312 -14.720	81 – 100	147 – 152	7,9

* Please note, that a dot (.) is used as the thousands separator and a comma (,) as the decimal separator throughout.

Dimensions

S

l 450
w 200
h 310 (45)*

M

l 650
w 250
h 310 (55)*

Optics



Product code

The technical specifications of the luminaire are determined through the combination of 10 categories which result in a unique 16-digit product code.

Category	Value	Code	
Model	LC Light Compact	LC1	
Size	S	1	
	M	2	
Power and lumens (size dependent)	S	1 - 25 W (152 – 3.810 lm)	025
		26 - 50 W (3.952 – 7.610 lm)	050
	M	51 – 80 W (7.752 – 12.160 lm)	080
		81 – 100 W (12.312 – 14.720 lm)	100
Dimming	Multi-Dim	6	
Optics	AA	AA	
	AB	AB	
	AC	AC	
	AD	AD	
	AX	AX	
Color temperature	3000 K	30	
	4000 K	40	
Installation	Top	T	
Fi	60 mm	1	
	76 mm	2	
Housing color	DB 703	1	
	DB 701	9	
	RAL 7016	4	
	RAL 9005	7	
	RAL 9006	3	
Options	None	0	

Recommended configurations

LC Light Compact S

Luminaire with a power consumption of up to 25 W and a luminous flux of up to 3.810 lm. Multi-Dim, AA optics, color temperature of 3000 K and DB 703 housing color, to be mounted on a 60 mm diameter pole.

Code: LC110256AA30T110

LC Light Compact S

Luminaire with a power consumption of up to 50 W and a luminous flux of up to 7.610 lm. Multi-Dim, AA optics, color temperature of 3000 K and DB 703 housing color, to be mounted on a 60 mm diameter pole.

Code: LC110506AA40T110

LC Light Compact M

Luminaire with a power consumption of up to 80 W and a luminous flux of up to 12.610 lm. Multi-Dim, AA optics, color temperature of 3000 K and DB 703 housing color, to be mounted on a 60 mm diameter pole.

Code: LC120806AA40T110

LC Light Compact M

Luminaire with a power consumption of up to 100 W and a luminous flux of up to 14.720 lm. Multi-Dim, AA optics, color temperature of 3000 K and DB 703 housing color, to be mounted on a 60 mm diameter pole.

Code: LC121006AA40T110