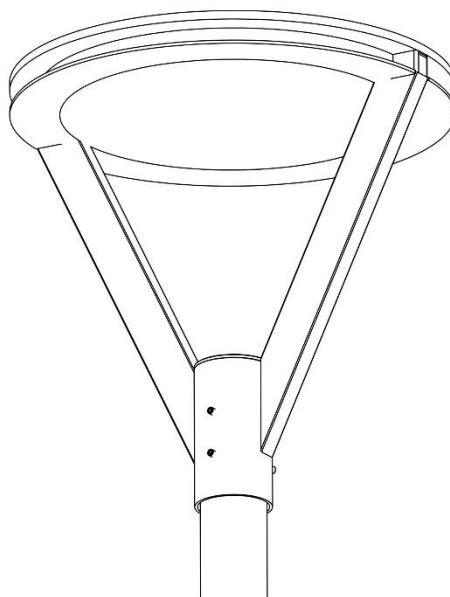


Technical Data Sheet

Plain I Retro



Product description

Housing made from aluminum to maximize heat dissipation and service life. Durable powder coating (default color DB 703). Mounting options: top mounting on a pole (single- or double-leg bracket which in its standard version fits 60 or 76 mm diameter poles) or hanging from a wire. Cover made from Opal glass for low glare. Fasteners made from stainless steel. Direct on-board power supply unit with long service life.

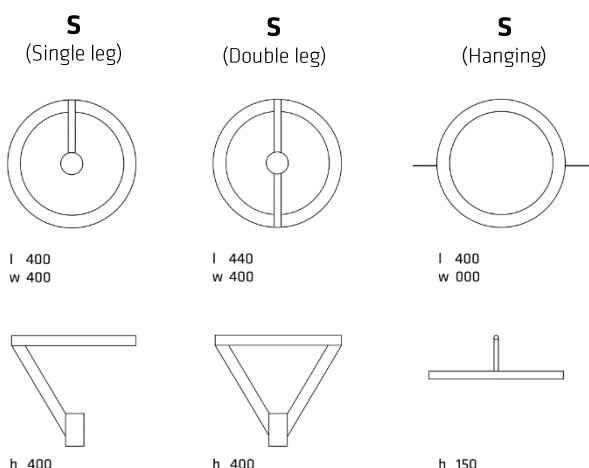
Technical description

| | |
|------------------------------|------------------|
| Mains voltage | 230 V AC, 50 Hz |
| Connection | 5-pole connector |
| Electrical efficiency | Over 80 % |
| Protection class | SK II, SK I |
| Surge protection | 3-6 kV |
| Protection rating | IP 65 |
| Impact protection | IK 08 |
| LED module cover | PMMA |
| Color rendering index | Over 70 |
| Color temperature | 3000 / 4000 |
| Lifetime (L80, B10) | Up to 50.000 h |

| Velikost | Diode | mA | lm | W | kg |
|----------|-------|-----|-------|----|---------|
| S | 180 | 450 | 1.751 | 22 | 3,5/4,8 |

* Please note, that a dot (.) is used as the thousands separator and a comma (,) as the decimal separator throughout.

Dimensions



Optics



Product code

The technical specifications of the luminaire are determined through the combination of 10 categories which result in a unique 16-digit product code.

| Category | Value | | Code |
|------------------------------------------|-----------------------------|-----------------|------|
| Model | Plain I Retro | | PR1 |
| Size | S | | 2 |
| Power and lumens (size dependent) | 5 | 22 W (1.751 lm) | 022 |
| Dimming | Standard | | 0 |
| Optics | 00 | | AA |
| Color temperature | 3000 K | | 30 |
| | 4000 K | | 40 |
| Installation | Top | | T |
| | Hanging | | H |
| Fi | 0 mm (hanging installation) | | 0 |
| | 60 mm | | 1 |
| | 76 mm | | 2 |
| Housing color | DB 703 | | 1 |
| | DB 701 | | 9 |
| | RAL 7016 | | 4 |
| | RAL 9005 | | 7 |
| | RAL 9006 | | 3 |
| Options | None (Hang) | | 0 |
| | Bracket Side I | | 1 |
| | Bracket Side II | | 2 |

Recommended configuration

Plain I Retro S

Luminaire with a power consumption of 22 W that produces a luminous flux of 1.751 lm. Standard dimming, 00 optics, color temperature of 4000 K and DB 703 housing color, to be mounted on a 60 mm diameter pole with Side-I style bracket.

Šifra: **PR1202200040T11**